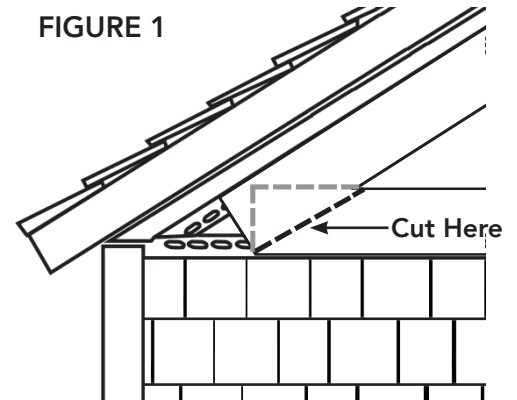


ESTABLISH GABLE ANGLE

- Lock a short or scrap piece of siding into the last course before the gable starts (for full-house application) or starter/transition strip (for gable-only application) and slide to the left until it meets the roofline.
- Next, hold a second piece of siding along the underside of the roof and mark the slope of the roof on the horizontal piece of siding (**Fig 1**).
- Set your miter saw and cut along the line (**Fig 1**) and use this short piece of siding as an angle template. Be sure to check this template every few courses.

FIGURE 1



GABLE INSTALLATION— FULL-HOUSE APPLICATION

1. On the previous installed course, measure distance from a panel end mark indicated by arrow (**Fig 2**) to the roofline (**Fig 3**) and mark this distance, measuring from the right factory end, on the butt edge of the first panel in the gable course. From this mark, cut the panel according to the angle template. Install panel and save cut scrap piece for end of course.
2. Install panels along remainder of course as you would normally.* See complete Installation Guide for further details.
3. To terminate the course, measure the distance from the last installed panel to the roofline along the bottom of the course (**Fig 4**). Measure and mark this distance from the left factory end on the butt edge of the next panel (or scrap piece from first panel†, if long enough). From this mark, cut the panel according to the angle template (be sure to reverse the angle) and install cut piece to finish the course.
4. Repeat Steps 1–3 for remaining courses in gable, remembering to check the angle template every few courses.

FIGURE 2

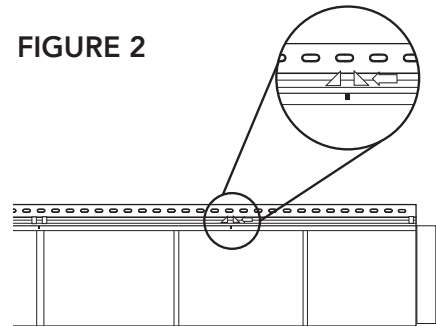


FIGURE 3

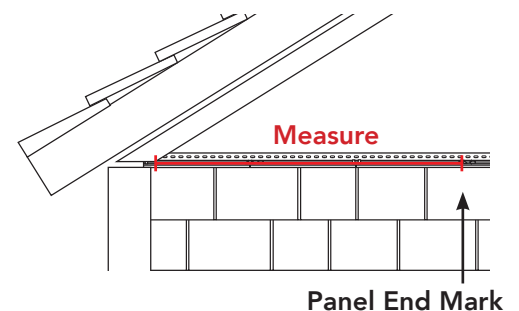
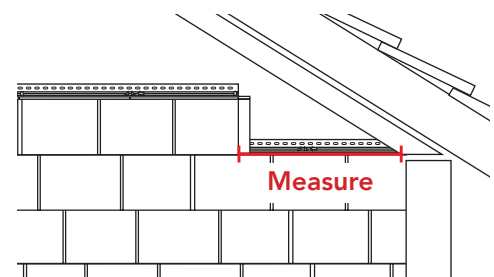


FIGURE 4



GABLE INSTALLATION— GABLE-ONLY APPLICATION

1. Cut the first panel according to the angle template, placing the bottom of angle in the bottom left corner of the panel. Install panel.
2. Install panels along remainder of course as you would normally* (see complete Installation Guide for further details).
3. To terminate the course, measure the distance from the last installed panel to the roofline along the bottom of the course (Fig 5). Measure and mark this distance from the left factory end on the butt edge of the next panel (or scrap piece from previous cut†). From this mark, cut the panel according to the angle template (be sure to reverse the angle) and install cut piece to finish the course.
4. To start the next course, measure the distance from a panel end mark on the first panel on the previous course to roofline (Fig 6). Mark this distance, measuring from the right factory end, on the butt edge of a new panel. From this mark, cut the panel according to the angle template. Install panel and save cut scrap piece for the end of the course†.
5. Install panels along remainder of course as you would normally.
6. Repeat Step 3 to complete the course.
7. Repeat Steps 4–6 to complete the gable, remembering to check the angle template every few courses.

*When lapping panels, leave 1/8" gap at nailing hem (Fig 7). Two factory ends must always be used to create lap joints. See complete Installation Guide for further installation details.

†Scrap pieces must have an intact factory end on the left side of panel in order to be used to terminate a course.

FIGURE 5

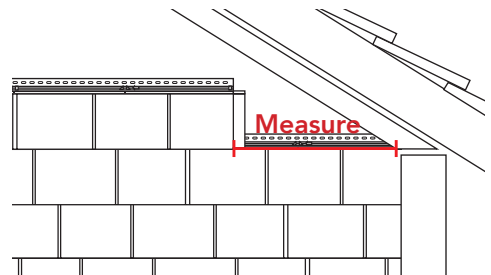


FIGURE 6

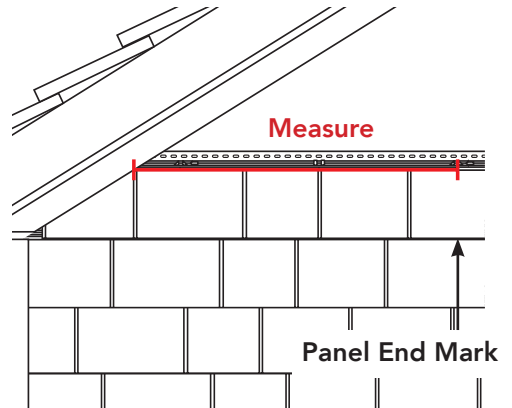


FIGURE 7

